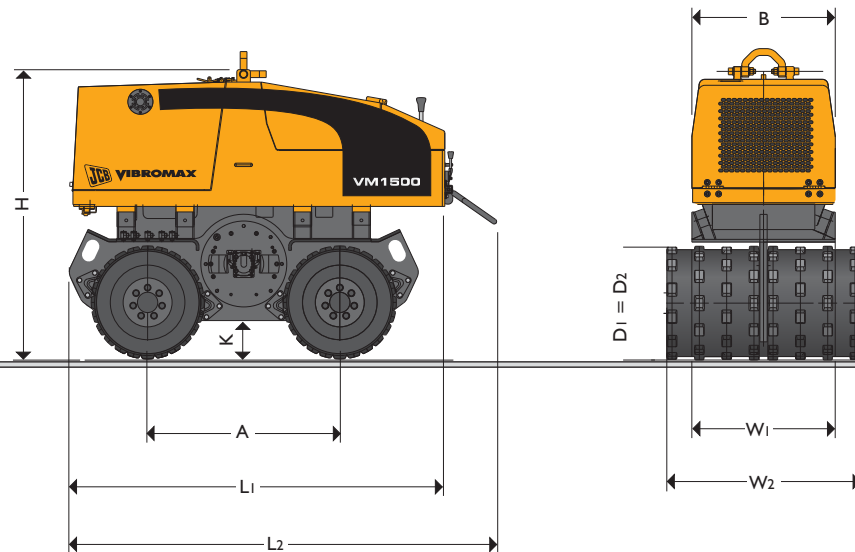




## JCB VIBROMAX – COMPACTION EQUIPMENT VIBRATORY TRENCH ROLLER VM1500



DRUM WIDTH: 850mm (33.5in) / 630mm (24.8in)  
OPERATING WEIGHT: 1500kg (3307lb)



### STATIC DIMENSIONS

Dimensions in millimetres (in)		
A	Wheelbase	850 (33.5)
B	Overall width	630 (24.8)
D1=D2	Drum diameter	500 (19.7)
H	Overall height	1280 (50.4)
K	Ground clearance	170 (6.7)
L1	Length	1650 (65)
L2	Total travel length roller width	1870 (73.6)
W1	Roller width	630 (24.8)
W2	Roller width	850 (33.5)

### OPERATING DATA

Operating weight (CECE)	kg (lb)	1500 (3307) / 1590 (3507)
Operating axle load front / rear	kg (lb)	750 (1654) / 750 (1654)
Exciter frequency	Hz	31
Nominal amplitude	mm (in)	2.4 (0.09)
Centrifugal force	kN (lbf)	84 (18880)
Compaction depth up to	cm (in)	80 (31.5)
Travel speed (forward/reverse) 1st gear max.	km/h (mph) / m/min (yd/min)	0-1.1 (0.07) / 0-18.3 (0-20)
Travel speed (forward/reverse) 2nd gear max.	km/h (mph) / m/min (yd/min)	0-2.5 (0-1.6) / 0-41.7 (0-45.6)
Gradeability up to with vibration / without vibration	degrees (%)	24 (45) / 29 (55)



## JCB VIBROMAX – COMPACTION EQUIPMENT VIBRATORY TRENCH ROLLER VM1500



### ENGINE

Three-cylinder, watercooled, four-stroke Diesel engine.

Make		Kubota
Model		D1005-BB-EC
Piston displacement	cm <sup>3</sup> (in <sup>3</sup> )	1000 (61)
Performance – DIN 6271	kW (hp)	16.8 (22.8)
Operating speed	rpm	3000
Starting device		Electric motor
Air cleaner		Dry cartridge
Fuel filter		Cartridge

### PROPULSION

Hydrostatic, with variable displacement pump and two circuit drive to all four drums.

### EXCITER DRIVE

Hydrostatic drive.

### EXCITER

Single-shaft circular exciter (drive direction reversible).

### STEERING SYSTEM

Two circuit propulsion drive.

### BRAKING SYSTEM

**Service brake:** Hydrostatic propulsion system.  
**Parking brake:** Hydraulically released multi-disk brake on rear drums.

### ELECTRICAL SYSTEM

Voltage	V	12
Battery capacity	Ah	66
Alternator	V(A)	14 (40 maximum)

### SERVICE CAPACITIES

Fuel	litres (US gal)	22 (5.8)
Engine oil (engine)	litres (US qt)	4 (4.2)
Engine oil (exciter)	litres (US qt)	0.5 (0.53)
Hydraulic oil	litres (US gal)	70 (18.5)

### INDICATORS AND SWITCHES

Battery charging current, hour meter, engine oil pressure, engine temperature, pre-heating.

### FEATURES

- Trench roller with high centrifugal force and compaction depth
- Powerful 3-cylinder, watercooled, diesel engine
- Automatic engine shut down for low oil pressure
- High torque drive motors on all four drums for unmatched gradeability
- Hydrostatic parking brake
- Wide opening enclosures for easy access to service and maintenance points
- Choice of drum widths
- Optional remote control for maximum safety in trench applications



JCB Vibromax Compaction Equipment GmbH, Schäferberg, 06466 Gatersleben, Germany. Tel: +49 (0) 39482.700. Fax: +49 (0) 39482.70102. Web: <http://www.jcbvibromax.de>

JCB Vibromax America Inc, 2823 Carlisle-Avenue, Racine, WI, 53404, USA. Tel: +1 262-637-8111. Fax: +1 262-637-8211.

JCB Vibromax Singapore, Representative Office, 72 Pasir Ris Heights, Singapore 519279. Tel: +65 6583 8297. Tel: +65 6583 8301.

JCB reserves the right to change specifications without notice. Illustrations shown may include optional equipment and accessories. The JCB logo is a registered trademark of J C Bamford Excavators Ltd.

Printed in the UK on paper made from sustainable forests. The pulp used in the manufacture of this paper is made from renewable timber produced on a fully sustainable basis, and is bleached without the use of chlorine gas (ECF – Elemental Chlorine Free). This paper is suitable for recycling.



9999/5141 10/08 Issue 3

A Product  
of Hard Work